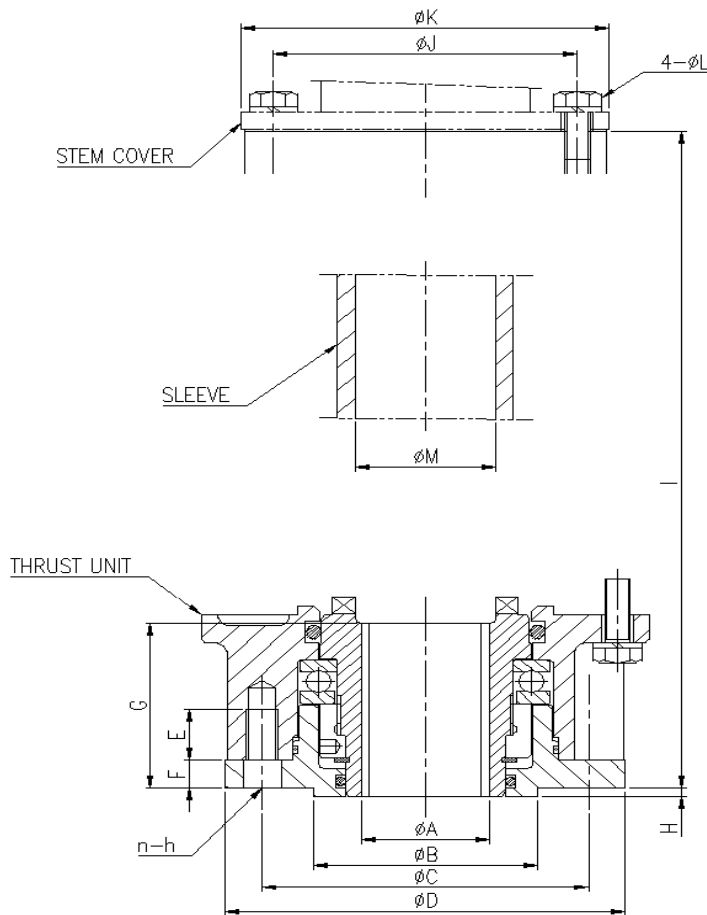


STEM BUSH



재질사양

용도		재질
키가공용		SM45C
나사가공용	일반	C6782BC
	특수(옵션)	CAC703(ALBC3)

MODEL	TX-01	TX-03	TX-05	TX-1	
ISO NO	F10	F14	F14	F16	
A	SCREW	40	48	58	72
	KEY	34	43	50	60
B	70f8	100f8	100f8	130f8	
C	102	140	140	165	
D	125	175	175	210	
E	20	28	28	30	
F	10	10	10	15	
G	62	70	70	85	
H	3	4	4	5	
I	299.5	345	410	457.2	
J	98	120	115	140	
K	122	154	140	165	
L	10(M8)	10(M8)	10(M8)	12(M10)	
M	$\phi 44$	$\phi 52$	$\phi 62$	$\phi 78$	
n-h	4-M10	4-M16	4-M16	4-M20	
ALLOWABLE SPINDLE LENGTH (ACT. BODY)	242	275	336	372	